

ABLOY[®] EL420, EL520 – *Europrofile motor locks*



New Europrofile locks can be installed with long plates or roses.

FUNCTION

The lock has two deadlocked bolts: a double action bolt and a dead bolt. The dead bolt is withdrawn inside lock case by motor and double action bolt is released, when electrical control is on.

The lock can always be opened by inside handle. Mechanical opening by cylinder is always possible.

CONTROL SWITCH

Momentary: Dead bolt is retained inside the lock case for the adjusted delay of 2...15 seconds.

Continuous: Dead bolt is retained inside lock case as long as electrical control is on.

When the door closes, and the delay / electrical control is off, both bolts are deadlocked. In the case of power failure, the bolts are always deadlocked.

APPLICATION

Motor locks are used in the doors requiring:

- Convenience (push / pull function)
- Security (no handles outside)
- High durability (high traffic doors)

The locks are recommended to be used in the interior and exterior doors of business premises, public buildings, hospitals, educational premises etc. Typical applications are:

- Entrance doors
- Interior entrance doors between different building sections
- Corridor doors
- Fire doors (high traffic)
- High traffic access controlled doors
- Swing doors with door automatics

EL520 are used in wooden and metal doors. EL420 are used in narrow profile doors. When exit by handle is needed, the lock is installed with the inside handle. When both access and exit is electrically controlled, the lock is installed with pulls on the both sides of the door. The locks can be electrically controlled by access control system or by other remote control system such as timer, keypad or push button.

The locks can be used both in exit and in fire rated doors (EN).

Also available lock cases for Swiss cylinder (RZ):

- EL522 for wooden or metal doors
- EL422 for narrow profile doors

STANDARD DELIVERY

Lock case is delivered as opening direction 2.4 .

Standard delivery includes:

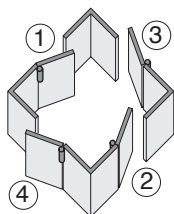
- Lock case
- Fixing screws etc.
- Spindle adapters
- Installation manual

Please specify when ordering:

- Lock type
- Backset, Forend
- Opening direction to select strike plate

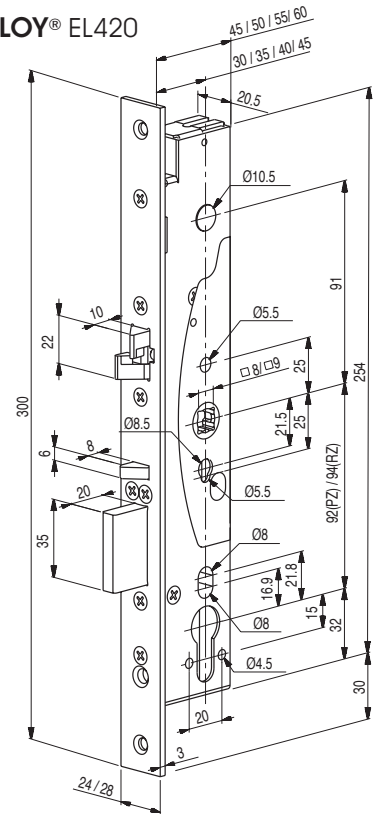
OPENING DIRECTIONS (HANDINGS)

ABLOY	DIN
① Right inwards	Left inwards
② Left inwards	Right inwards
③ Left outwards	Left outwards
④ Right outwards	Right outwards

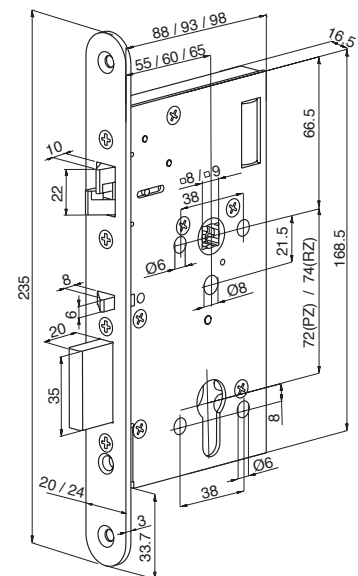


DIMENSIONS

ABLOY® EL420



ABLOY® EL520



STANDARDS

EN STANDARDS

EN 179:1997 + A1:2001	Exit
EN 1125:1997 + A1:2001	Panic exit
EN 1634-1	Fire resistance
EN 61000-6-1:2001	EMC
EN 61000-6-3:2001	EMC

EN STANDARDS

EN 12209	(under testing)
prEN 1627	Mechanical resistance
	Burglary resistance

LOCAL STANDARDS

NEN 5089:1995

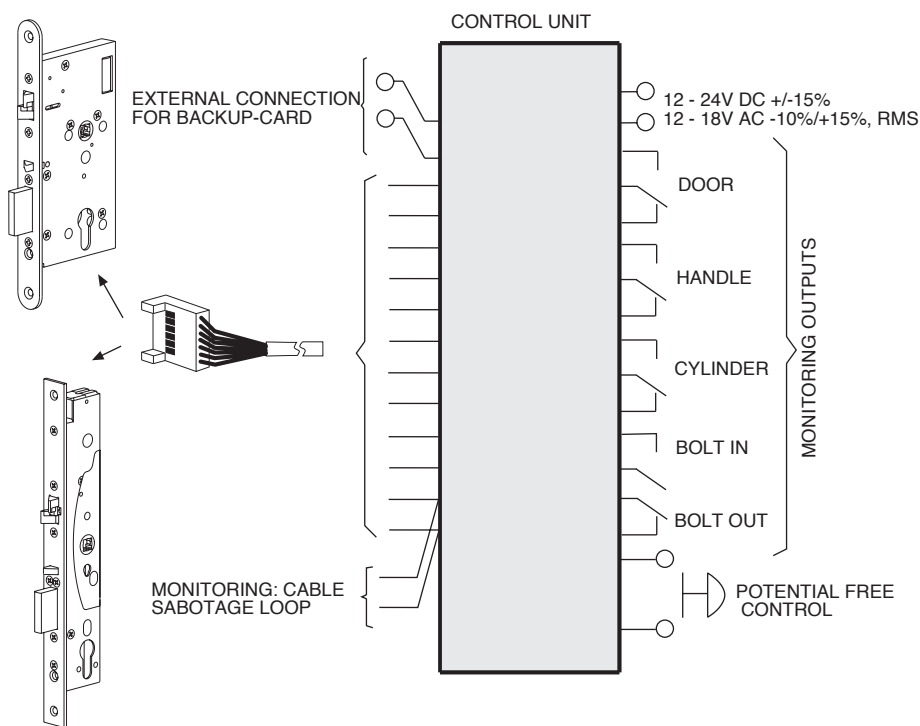
SKG, mechanical strength and burglary resistance

GOST-R

TECHNICAL DETAILS

Operating voltage:	12 - 24 V DC ($\pm 15\%$) 12 - 18 V AC, RMS (-10%, +15%)
Current:	Max. 0.8 A (12 V), 0.4 A (24 V) Normal 0.45 A (12 V), 0.22 (24 V) Idle 1.3 A (12 V), 0.6 A (24 V)
Relays:	Max. 0.8 A 30 V AC/DC resist, 10 W
Operating temperature:	-20°C - +60°C
Bolt throw:	20 mm (deadbolt), 10 mm (double action bolt)
Backset:	55, 60, 65 mm (EL520) 30, 35, 40, 45 mm (EL420)
Forend:	20, 24 mm (EL520) 24, 28 mm (EL420)
Spindle:	9 mm (8 mm with snap spindle adapter)
Settable functions:	Mechanical functions: - Handing of trigger bolt
Monitoring outputs:	Bolt deadlocked Bolt inside the lock case Door closed Handle used Cylinder used Cable sabotage

CONTROL PRINCIPLE AND AVAILABLE MONITORING OUTPUTS



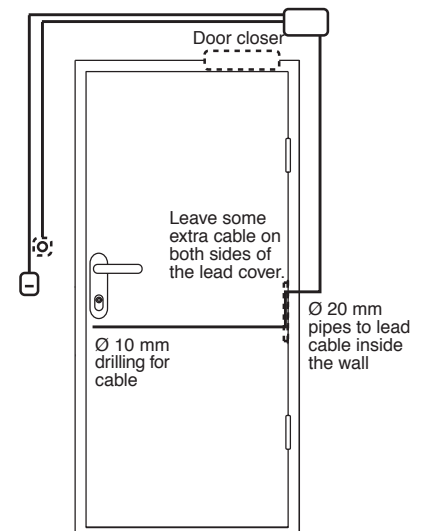
COMPATIBILITY CHART FOR CYLINDERS, FITTINGS AND ACCESSORIES

	EUROPROFILE DIN CYLINDERS		FITTINGS	ACCESSORIES (please order separately)		
	ABLOY PROTEC	ABLOY DISKLOCK PRO		CABLES	LEAD COVERS	STRIKE PLATE
Single	CY303N, CY313N CY307N, CY317N	CY303D	IKON Ruko BEZAULT ABLOY** others	EA218 (6m) EA219(10m)	EA280 EA281	EA321**) EA322 EA323**) EA324
Double	CY304N, CY314N CY308N, CY318N	CY304D				
Single with thumbturn	CY305N, CY315N CY309N, CY319N	CY305D				

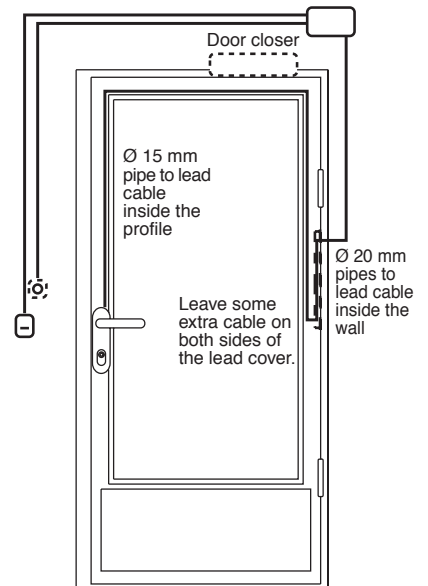
*) For further information, please contact Abloy Oy Tampere factory.
**) Handing must be defined.

DOOR ENVIRONMENT

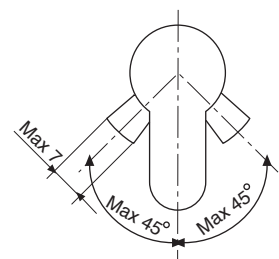
Wooden and metal doors



Narrow profile doors



CAM ANGLE



EMERGENCY EXIT DEVICES ACCORDING TO EN 179

The following locks and handles are approved to be installed together in an emergency exit door to conform EN 179.

Profile door locks	IKON DO 20.15.02	FSB DO 20.03.01, DO 20.03.02	HEWI DO 20.13.01, DO 20.13.02
EL420 EL422	e.g. S6B8	1016, 1023, 1056, 1070, 1080, 1088, 1090, 1117, 1118, 1119, 1137, 1146, 1155, 1160, 1161, 1162, 1177, 1178, 1191, 0612, 0616, 0617, 0619, 0625, 0627, 0628, 0646, 0662, 0665, 0680, 0681, 0682, 0688	111, 111.23, 114.23GK, 131, 132, 111X, 113X, 114X, 161X, 163X, 171X, 112X, 165X, 166X
Wooden and metal door locks	IKON DO 20.15.01		
EL520 EL522	e.g. S4K6		

The safety features of this product are essential to its compliance with EN 179. No modification of any kind, other than those described in the installation manual, are permitted.

PANIC EXIT DEVICES INSTALLATION ACCORDING TO EN 1125

The following locks and push bars are approved to be installed together in a panic exit door to conform EN 1125. The push bars can be installed for example with above mentioned outside fittings (Table EN 179) to conform EN 1125.

Profile door locks	effeff DO 30.04	JPM DO 30.05	TESA DO 30.06
EL420 EL422	8000-00-1100 (-), 8000-10-1100 (PZ) 8000-00-1100 (-), 8000-11-1100 (RZ)	NORMA 870000-30-0A NORMA 870000-31-0A NORMA 870000-32-0A NORMA 870000-33-0A	UNIVERSAL SERIE 19709G9xx
Wooden and metal door locks	effeff DO 30.04		
EL520 EL522	8000-00-1100 (-), 8000-20-1100 (PZ) 8000-00-1100 (-), 8000-21-1100 (RZ)		

The safety features of this product are essential to its compliance with EN 1125. No modification of any kind, other than those described in the installation manual, are permitted.

EN179 and EN1125 standards are conformed, when the above mentioned lock is installed with ABLOY EA321, EA322, EA323 or EA324 strike plate.

This document may not be used in the installation of a lock. Drilling and wiring diagrams and installation instructions are included in the installation manual, which is included in each lock case package.

We reserve the right to make alterations to the products described in this leaflet.



www.abloy.com

Abloy Oy
Wahlforssinkatu 20
P.O. Box 108
FIN-808101 JOENSUU
FINLAND
Tel. +358 20 599 2501
Fax +358 20 559 2209

